



Vue-More
 Turntables
We Put Your Designs in Motion

MB 110

Part Number: 195110 021MB

Weight Capacity.....50 lbs [23 kg]
 Standard RPM.....2 Clockwise
 Torque Output @ 2 RPM.....1 in-lbs [0.11 Nm]
 Motor Draw.....0.70 mA (84 mW)
 Shipping Weight.....5 lbs [2.3 kg]
 Power Cord.....6ft [2m]

Not Rated For Outdoor Use

Do Not Use Caster Wheels To Balance Load

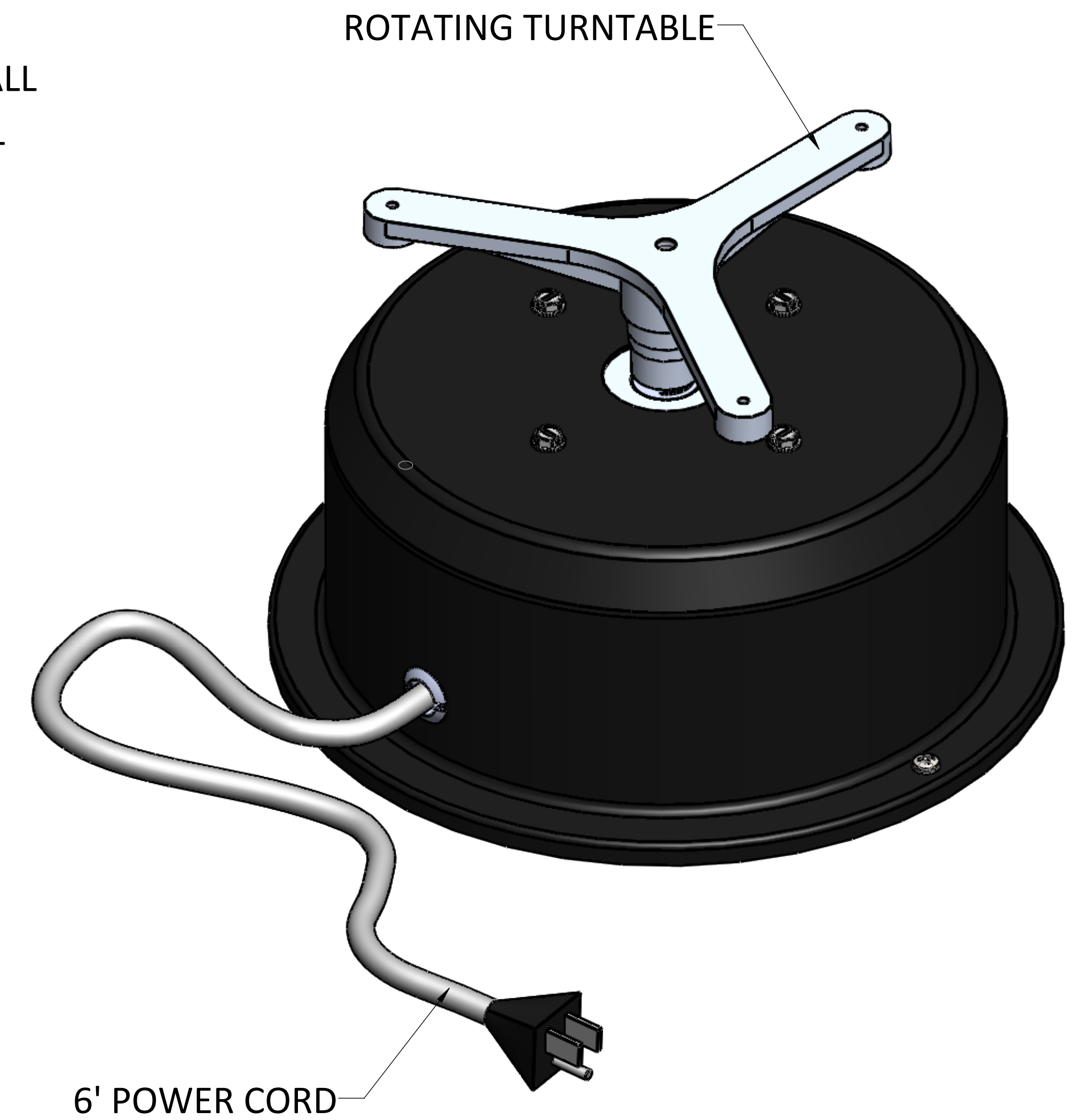
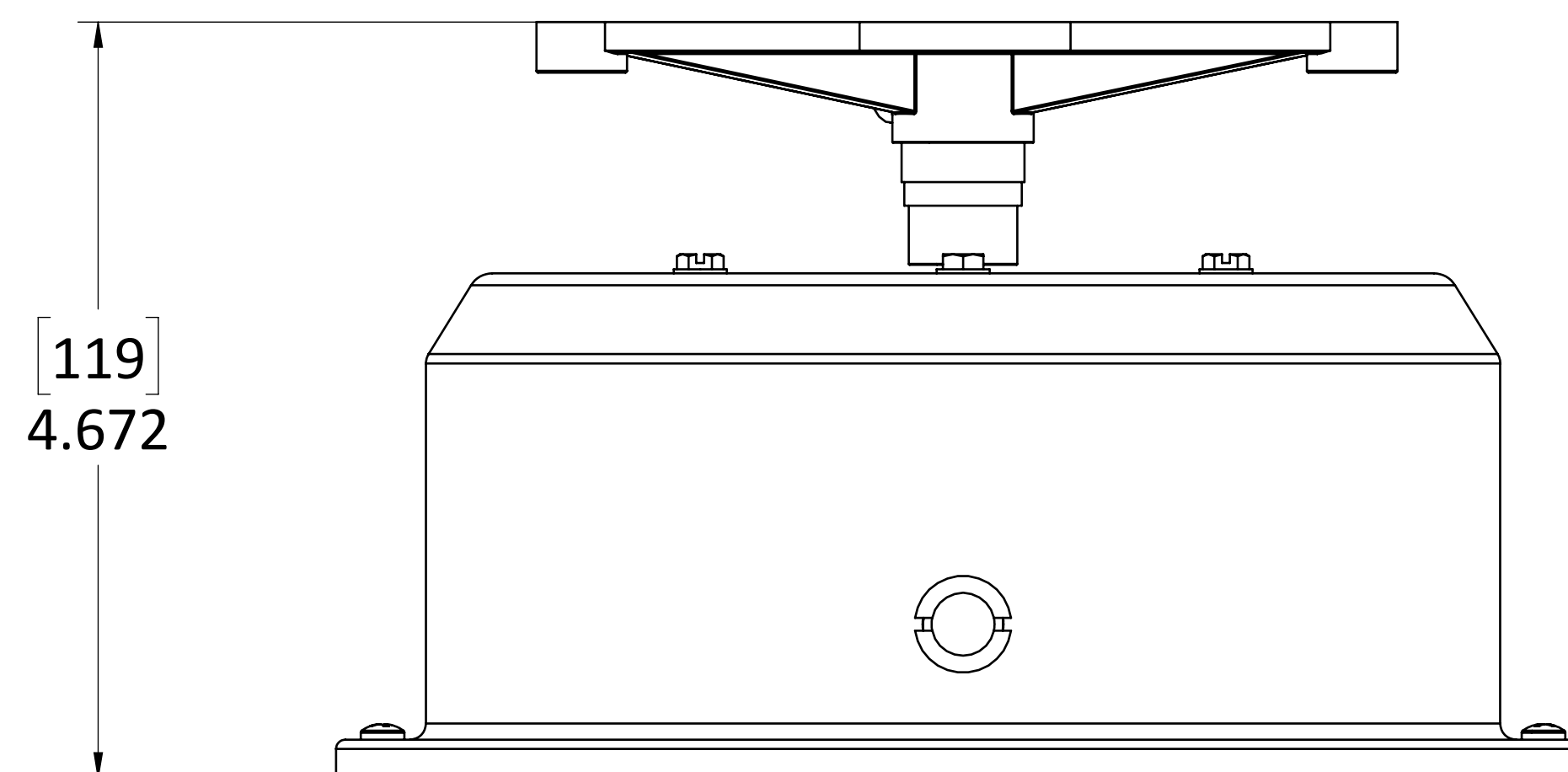
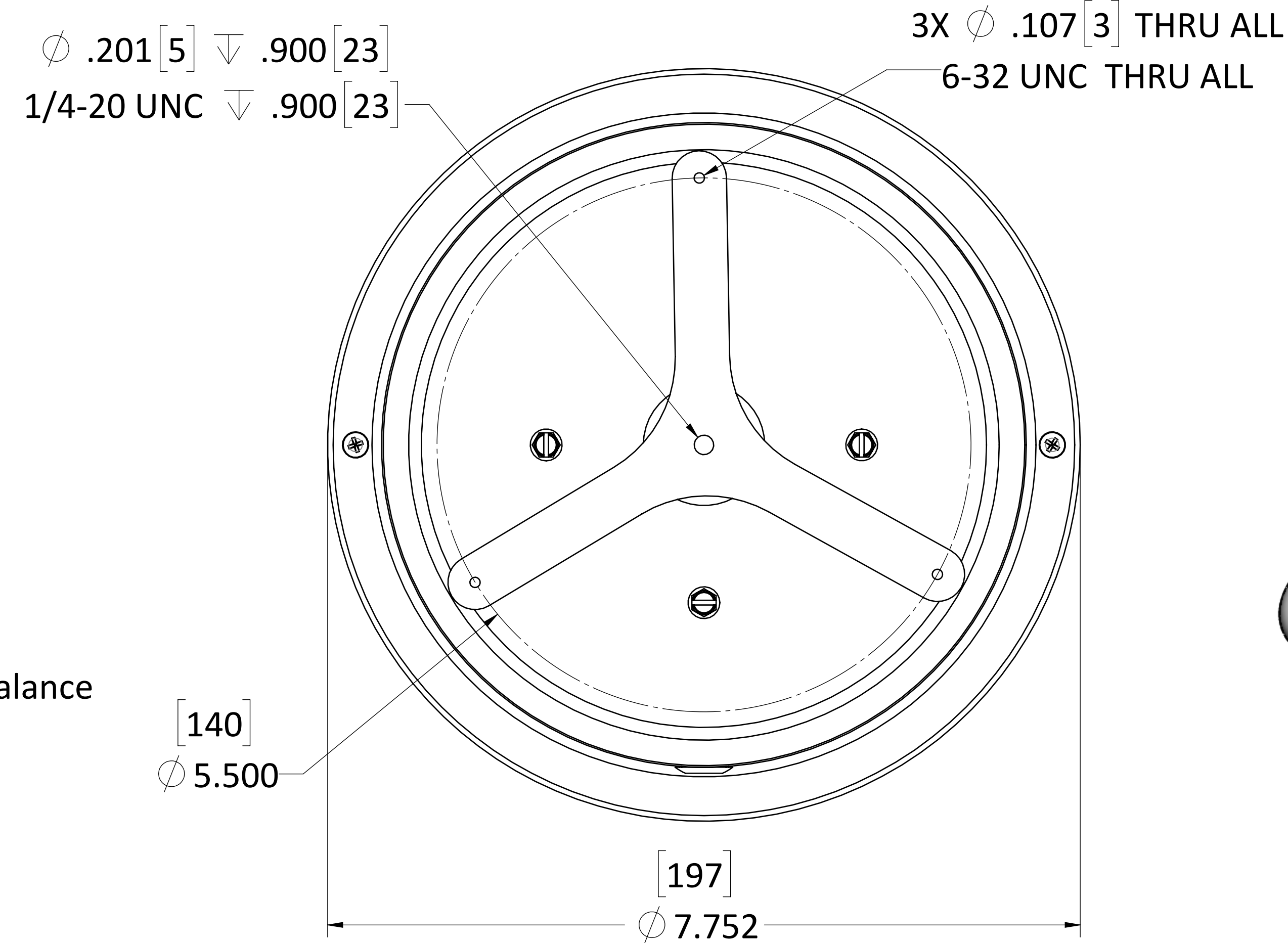
Shaft is 1/4" Steel, Will Bend Easily If Load Is Out Of Balance

PERFORMANCE TIPS

- Keep The Unit Level
- Keep The Weight As Centered As Possible

OPTIONS

- 1 RPM Clockwise
- 2 RPM Counter-Clockwise



Vue-More powered by Dynapac Motion
 338 Hansen Ave., Salt Lake City, UT 84115
 Phone: 610-266-9600
 email: info@vuemore.com • www.vuemore.com